



# TOYOTA TACOMA BED MAT

Assembly, Installation, Operation,  
and Maintenance Instructions

PART NUMBER	703N
INSTALL TIME	.5 HOURS

## 2024 TOYOTA TACOMA 6' / 5' (TRIM TO FIT)

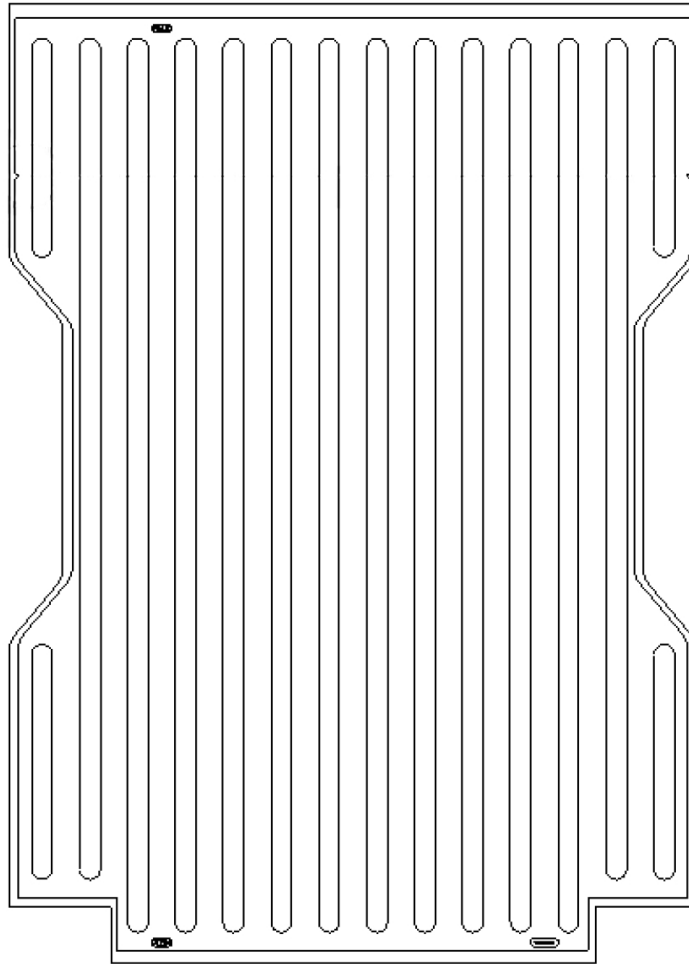
<b>DEALER / INSTALLER</b>	Provide a copy of these instructions to the end user of this product. These instructions provide important operating and safety information for proper usage of this product. Demonstrate the proper use of the product with the end user. Have the end user demonstrate that they understand the proper use of the product.
<b>END USER</b>	Read and follow all instructions included in this manual. Ask your Dealer / Installer for assistance if you do not understand the proper use of the product. Never remove any decals from the product. Failure to follow these instructions can result in injury or death.

### TOOLS REQUIRED

UTILITY KNIFE

STRAIGHT OBJECT FOR CUTTING GUIDE (2x4 / YARD STICK / LEVEL)

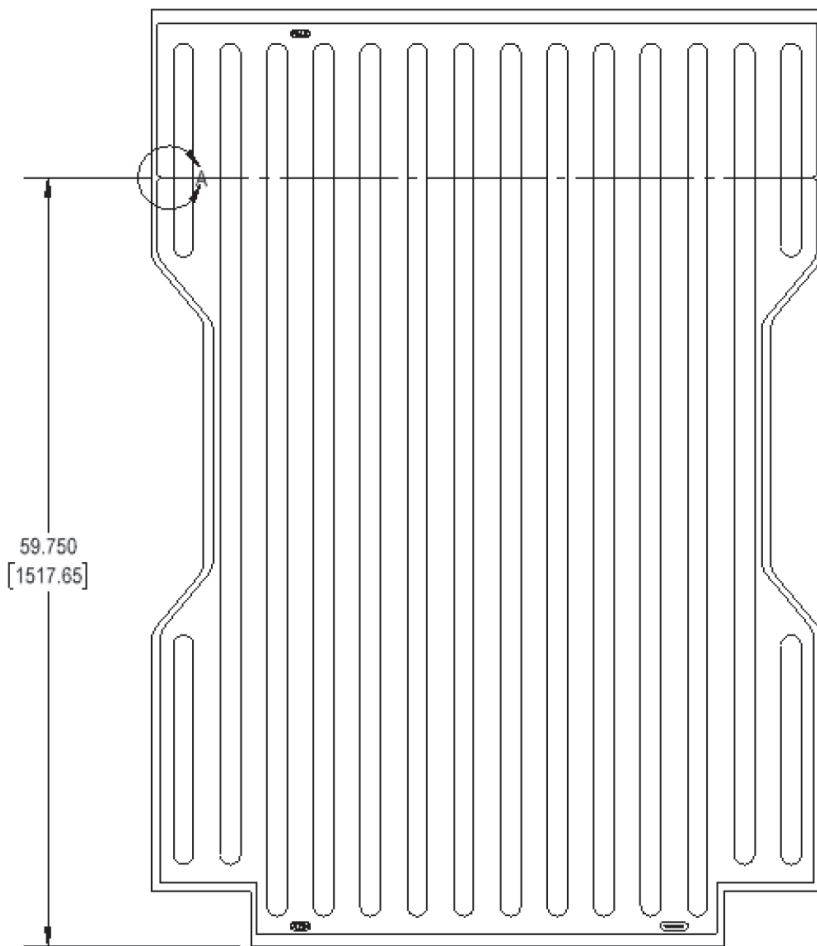
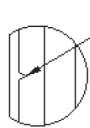
**6' BED MAT**



**The following instructions are for 5' beds.**

1. Lay bed mat flat on hard surface like a garage floor.
2. Lay straight edge across the bed mat connecting tips of both arrows.
3. Cut with razor knife and discard excess.

Utilize the arrows at the front of the bed mat for short bed cut line location.



## CONTACT US

**WEBSITE:** TrailFX.com

**PHONE:** 1-866-638-4870

**EMAIL:** support@trailfx.com

## WARRANTY INFORMATION

### Limited Lifetime Warranty:

Keystone Automotive Operations (KAO) warrants this product to be free of defects in material and workmanship at the time of purchase by the original retail consumer. KAO disclaims any other warranties, express or implied, including the warranty of fitness for a particular purpose or an intended use. If the product is found to be defective, KAO may replace or repair the product at our option, when the product is returned prepaid, with proof of purchase. Alteration to, improper installation, or misuse of this product voids the warranty. KAO's liability is limited to repair or replacement of products found to be defective, and specifically excludes liability for any incidental or consequential loss or damage.